



**ARISTA**IPC

# Industrial Keyboards

Datasheet Collection

---

[www.aristaipc.com](http://www.aristaipc.com)

# Contents

## Industrial Peripherals

---

### Industrial Keyboards

KB-115A-AP .....	03
KB-115A-AX .....	04
KB-115B-AP .....	05
KB-115B-AX .....	06
KB-115C-AP .....	07
KB-115C-AX .....	08



## KB-115A-AP

Industrial Waterproof Membrane Keyboard  
104 Key with Touchpad

### Features

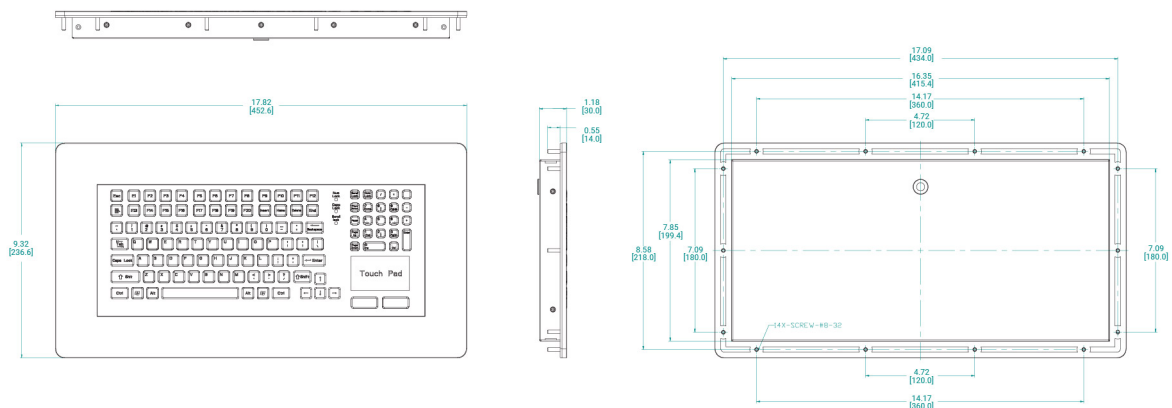
- Industrial Waterproof Membrane Keyboard
- 104 Key with Touch Pad
- USB (Standard Order), PS/2 (Special Order)
- IP68
- Panel Mount

### Specifications

Model Name	KB-115A-AP
Key	104 Key with Touch Pad
Supply Voltage	5V DC +/- 5%
Current Rating	30mA
Interface	USB (Standard Order), PS/2 (Special Order)
Cable Length	2.5m
Operating Temp	-20~60°C (-4~140°F)
Storage Temp	-30~70°C (-22~158°F)
Operating RH	100%
Protection Level	IP68
MTBF	>50000H
Net Weight	14 Lbs / 7 Kg
Dimension (W x H x D)	17.80 x 1.20 x 9.30 inch 452.6 x 30.0 x 236.6 mm
Mounting	Panel Mount

### Dimension Drawing

Model Name: KB-115A-AP  
Size Unit: inch(mm)



### Ordering Information

Item	KB-115A-AP-005
Connector	USB



## KB-115A-AX

Industrial Waterproof Membrane Keyboard  
104 Key with Touchpad

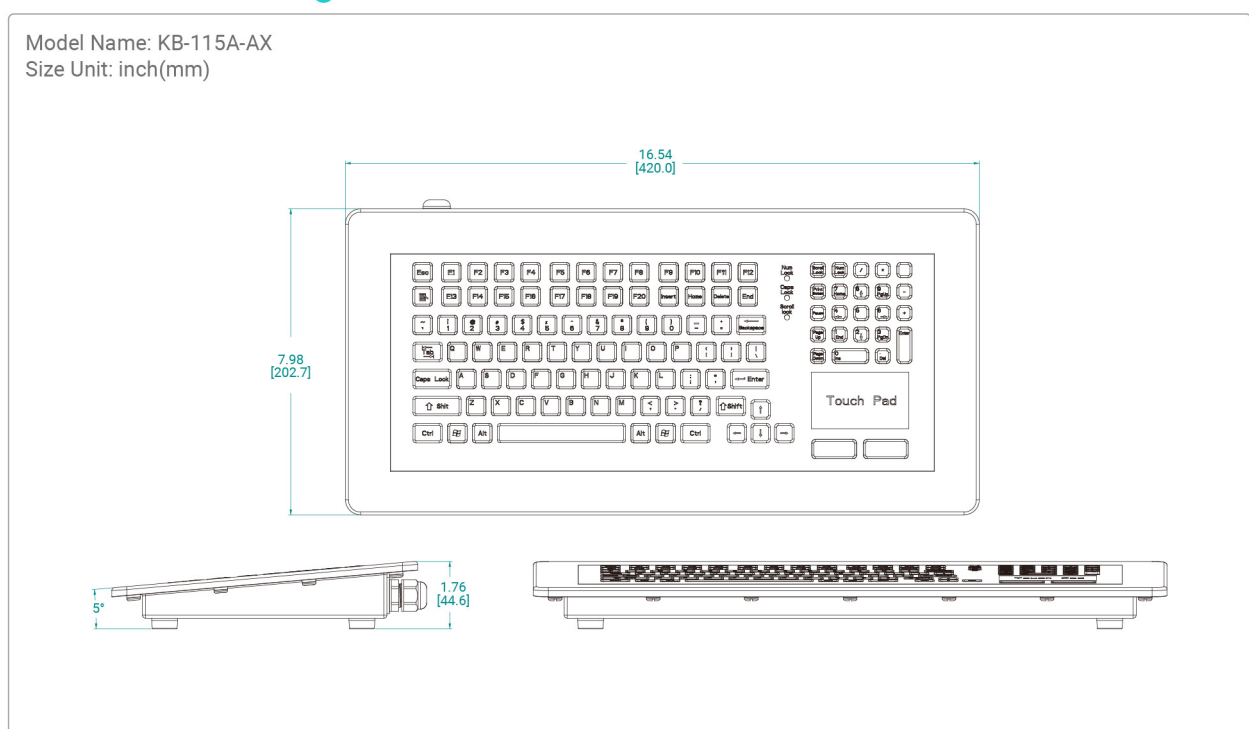
### Features

- Industrial Waterproof Membrane Keyboard
- 104 Key with Touch Pad
- USB (Standard Order), PS/2 (Special Order)
- IP68
- Bench Top

### Specifications

Model Name	KB-115A-AX
Key	104 Key with Touch Pad
Supply Voltage	5V DC +/- 5%
Current Rating	30mA
Interface	USB (Standard Order), PS/2 (Special Order)
Cable Length	2.5m
Operating Temp	-20~60°C (-4~140°F)
Storage Temp	-30~70°C (-22~158°F)
Operating RH	100%
Protection Level	IP68
MTBF	>50000H
Net Weight	11 Lbs / 5 Kg
Dimension (W x H x D)	16.54 x 1.76 x 7.98 inch 420.0 x 44.6 x 202.7 mm
Mounting	Bench Top

### Dimension Drawing



### Ordering Information

Item	KB-115A-AX-005
Connector	USB





## KB-115B-AP

Industrial Waterproof Rubber Keyboard  
104 Key with Pointing Device



### Features

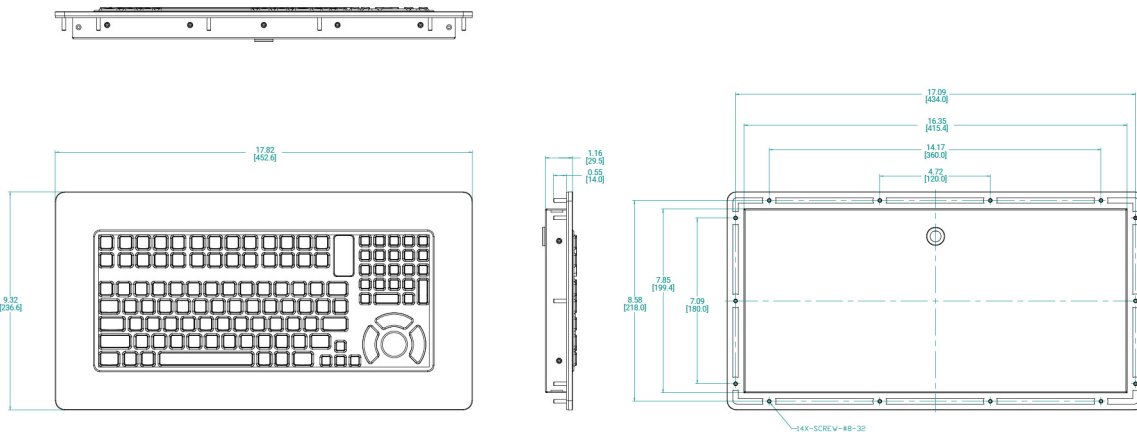
- Industrial Waterproof Rubber Keyboard
- 104 Key with Pointing Device
- USB
- IP68
- Panel Mount

### Specifications

Model Name	KB-115B-AP
Key	104 Key with Pointing Device
Supply Voltage	5V DC +/- 5%
Current Rating	30mA
Interface	USB
Cable Length	2.5m
Operating Temp	-20~60°C (-4~140°F)
Storage Temp	-30~70°C (-22~158°F)
Operating RH	100%
Protection Level	IP68
MTBF	>50000H
Net Weight	9 Lbs / 4 Kg
Dimension (W x H x D)	17.80 x 1.20 x 9.30 inch 452.6 x 30.0 x 236.6 mm
Mounting	Panel Mount

### Dimension Drawing

Model Name: KB-115B-AP  
Size Unit: inch(mm)



### Ordering Information

Item	KB-115B-AP-005
Connector	USB



## KB-115B-AX

Industrial Waterproof Rubber Keyboard  
104 Key with Pointing Device

### Features

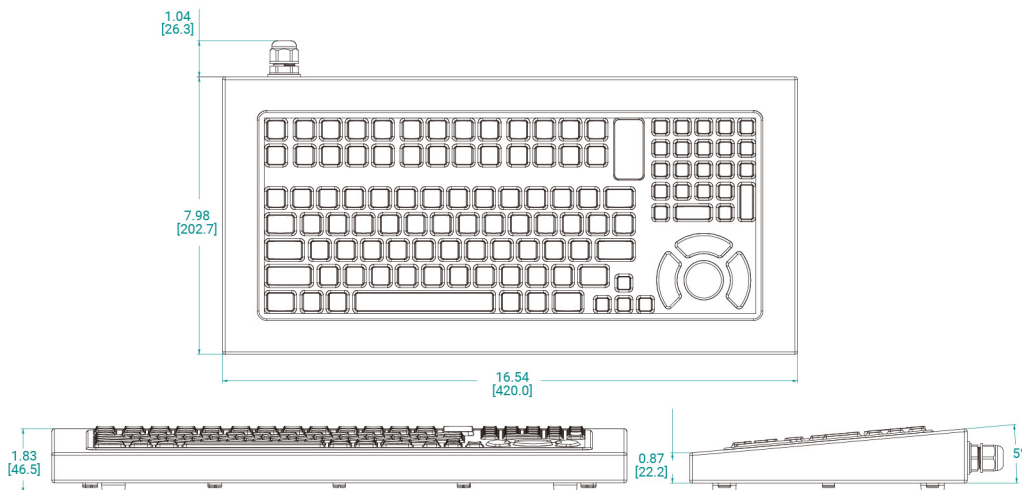
- Industrial Waterproof Rubber Keyboard
- 104 Key with Pointing Device
- USB
- IP68
- Bench Top

### Specifications

Model Name	KB-115B-AX
Key	104 Key with Pointing Device
Supply Voltage	5V DC +/- 5%
Current Rating	30mA
Interface	USB
Cable Length	2.5m
Operating Temp	-20~60°C (-4~140°F)
Storage Temp	-30~70°C (-22~158°F)
Operating RH	100%
Protection Level	IP68
MTBF	>50000H
Net Weight	8 Lbs / 4 Kg
Dimension (W x H x D)	16.54 x 1.83 x 7.98 inch 420.0 x 46.5 x 202.7 mm
Mounting	Bench Top

### Dimension Drawing

Model Name: KB-115B-AX  
Size Unit: inch(mm)



### Ordering Information

Item	KB-115B-AX-005
Connector	USB



## KB-115C-AP

Industrial Waterproof Rubber Keyboard  
104 Key with Touchpad



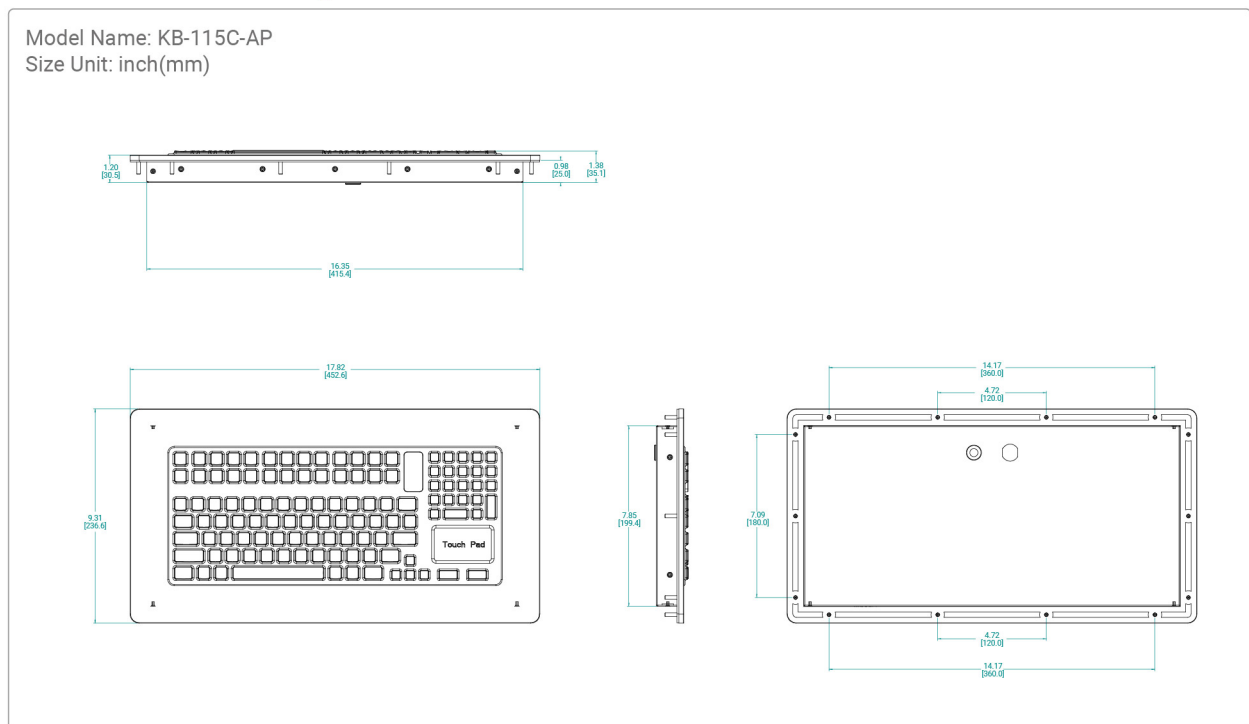
### Features

- Industrial Waterproof Rubber Keyboard
- 104 Key with Touch Pad
- USB
- IP68
- Panel Mount

### Specifications

Model Name	KB-115C-AP
Key	104 Key with Touch Pad
Supply Voltage	5V DC +/- 5%
Current Rating	30mA
Interface	USB
Cable Length	2.5m
Operating Temp	-20~60°C (-4~140°F)
Storage Temp	-30~70°C (-22~158°F)
Operating RH	100%
Protection Level	IP68
MTBF	>50000H
Net Weight	9 Lbs / 4 Kg
Dimension (W x H x D)	17.80 x 1.20 x 9.30 inch 452.6 x 30.5 x 236.6 mm
Mounting	Panel Mount

### Dimension Drawing



### Ordering Information

Item	KB-115C-AP-005
Connector	USB



## KB-115C-AX

Industrial Waterproof Rubber Keyboard  
104 Key with Touchpad

### Features

- Industrial Waterproof Rubber Keyboard
- 104 Key with Touch Pad
- USB
- IP68
- Bench Top

### Specifications

Model Name	KB-115C-AX
Key	104 Key with Touch Pad
Supply Voltage	5V DC +/- 5%
Current Rating	30mA
Interface	USB
Cable Length	2.5m
Operating Temp	-20~60°C (-4~140°F)
Storage Temp	-30~70°C (-22~158°F)
Operating RH	100%
Protection Level	IP68
MTBF	>50000H
Net Weight	8 Lbs / 4 Kg
Dimension (W x H x D)	16.54 x 1.83 x 7.98 inch 420.0 x 46.5 x 202.7 mm
Mounting	Bench Top

### Ordering Information

Item	KB-115C-AX-005
Connector	USB



**ARISTA Corporation (USA)**

 40675 Encyclopedia Circle, Fremont, CA 94538.

 Phone : +1-510-226-1800  eFax : 510-405-8437

 [sales@goarista.com](mailto:sales@goarista.com)  [www.aristaipc.com](http://www.aristaipc.com)